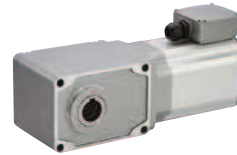


Induction Motors

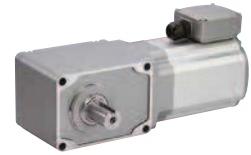
200 W

□ 110 mm

Right-angle Shaft Geared Type



Hollow Shaft Type



Solid Shaft Type

KIIS Series

6 W
110–230 VAC

15 W
110–230 VAC

25 W
110–230 VAC

Induction

40 W
110–230 VAC

60 W
110–230 VAC

90 W
110–230 VAC

KIIS Series

60 W
220, 230 VAC

100 W
220, 230 VAC

Induction

100 W
220, 230 VAC
Hollow/Solid Shaft

200 W
220–400 VAC

KIIS Series

60 W
220, 230 VAC

With Electromagnetic Brake

100 W
220, 230 VAC

Specifications - Continuous Rating



Product Name			Output W	Voltage V	Frequency Hz	Current A	
Hollow Shaft Type	Solid Shaft Type (R shaft)	Solid Shaft Type (L shaft)					
7IK200VEST2-GHR□	7IK200VEST2-GAR□	7IK200VEST2-GAL□	200	Three-phase 220	50	1.00	
					60	0.90	
7IK200VEUT2-GHR□	7IK200VEUT2-GAR□	7IK200VEUT2-GAL□		Three-phase 230	50	1.02	
					60	0.89	
7IK200VEUT2-GHR□	7IK200VEUT2-GAR□	7IK200VEUT2-GAL□		200	Three-phase 380	50	0.56
						60	0.52
7IK200VEUT2-GHR□	7IK200VEUT2-GAR□	7IK200VEUT2-GAL□	Three-phase 400		50	0.56	
					60	0.51	
7IK200VEUT2-GHR□	7IK200VEUT2-GAR□	7IK200VEUT2-GAL□	Three-phase 415		50	0.57	

● There is no built-in overheat protection device (thermal protector).

Please use an electromagnetic switch or the electron thermal function of the inverter to prevent burnout of the motor due to overload or locking of the output shaft.

● When driving in combination with an inverter, please use an inverter setting frequency of 100 Hz max.

Note

● Do not perform instantaneous bi-directional operation.

Product Line

Hollow shaft type

Type	Product Name	Gear Ratio
Terminal box type	7IK200VEST2-GHR□	15, 20, 25, 30, 40, 50, 60
		75, 100, 120, 150, 200, 240
Terminal box type	7IK200VEUT2-GHR□	15, 20, 25, 30, 40, 50, 60
		75, 100, 120, 150, 200, 240

The following items are included in each product.

Geared motor, installation screws, machine key, safety cover, operating manual

● A number indicating the gear ratio is specified in the box □ in the product name.

Solid shaft type

Type	Product Name	Gear Ratio
Terminal box type	7IK200VEST2-GAR□ 7IK200VEST2-GAL□	15, 20, 25, 30, 40, 50, 60
		75, 100, 120, 150, 200, 240
Terminal box type	7IK200VEUT2-GAR□ 7IK200VEUT2-GAL□	15, 20, 25, 30, 40, 50, 60
		75, 100, 120, 150, 200, 240

The following items are included in each product.

Geared motor, installation screws, machine key, operating manual

Permissible Torque on Right-angle Shaft Geared Types

Gear Ratio	Gear Ratio													
	15	20	25	30	40	50	60	75	100	120	150	200	240	
Speed [r/min]	50 Hz	100	75	60	50	37	30	25	20	15	12.5	10	7.5	6.2
	60 Hz	120	90	72	60	45	36	30	24	18	15	12	9	7.5
Rated Torque [N·m]	50 Hz	15.5	20.8	26.1	31.4	42.1	52.7	63.3	79.3	105	127	159	190	190
	60 Hz	12.8	17.3	21.7	26.1	35.0	43.9	52.8	66.1	88.3	106	132	177	190
Starting Torque [N·m]	50 / 60 Hz	16.1	21.6	27.1	32.6	43.7	54.7	65.7	82.3	110	132	165	190	190

● Speed is calculated by dividing by the gear ratio with reference to the synchronous speed of the motor (50 Hz: 1500 r/min, 60 Hz: 1800 r/min).

Actual speed is 2–10% lower depending on the size of the load.

Permissible Radial Load/Permissible Axial Load

→ page 56

Permissible Inertia J of Combination Types

→ page 55

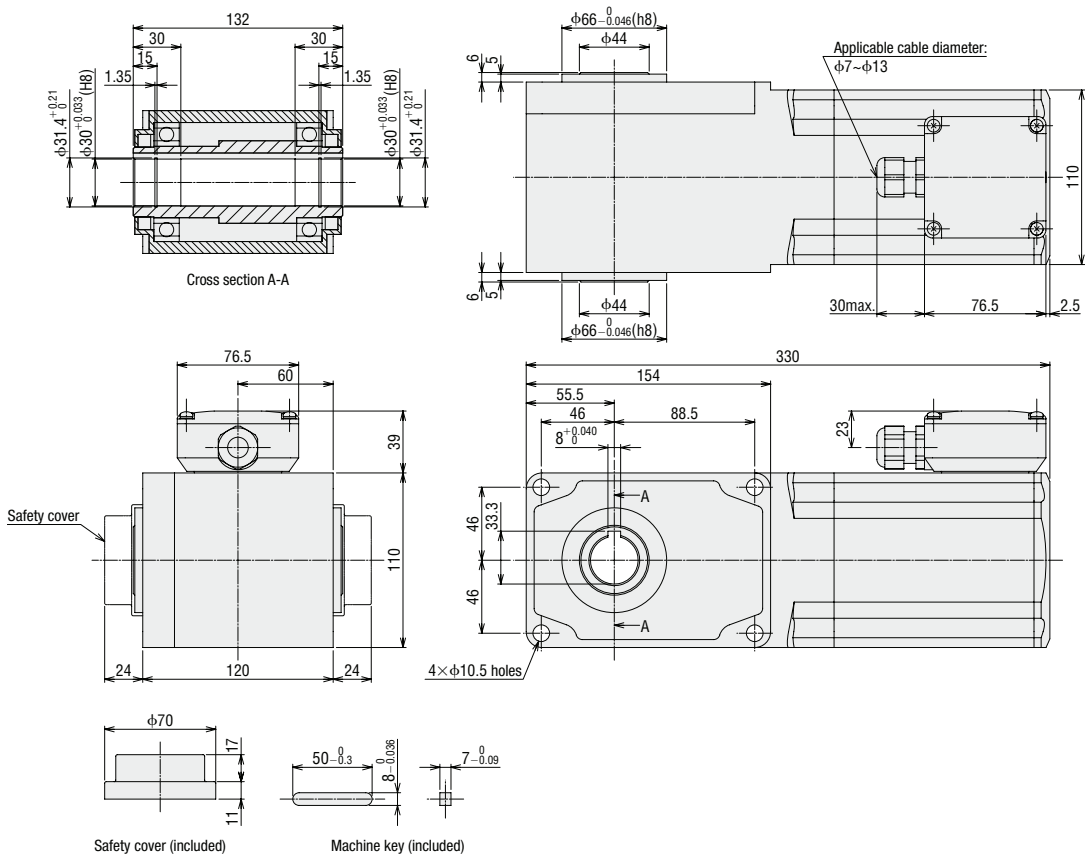
Dimensions (Unit = mm)

- Installation screws are included. → page 55
- The cable pull-out port of the terminal box can be changed and fixed in four directions.
- A number indicating the gear ratio is specified in the box □ in the product name.

Hollow Shaft Type

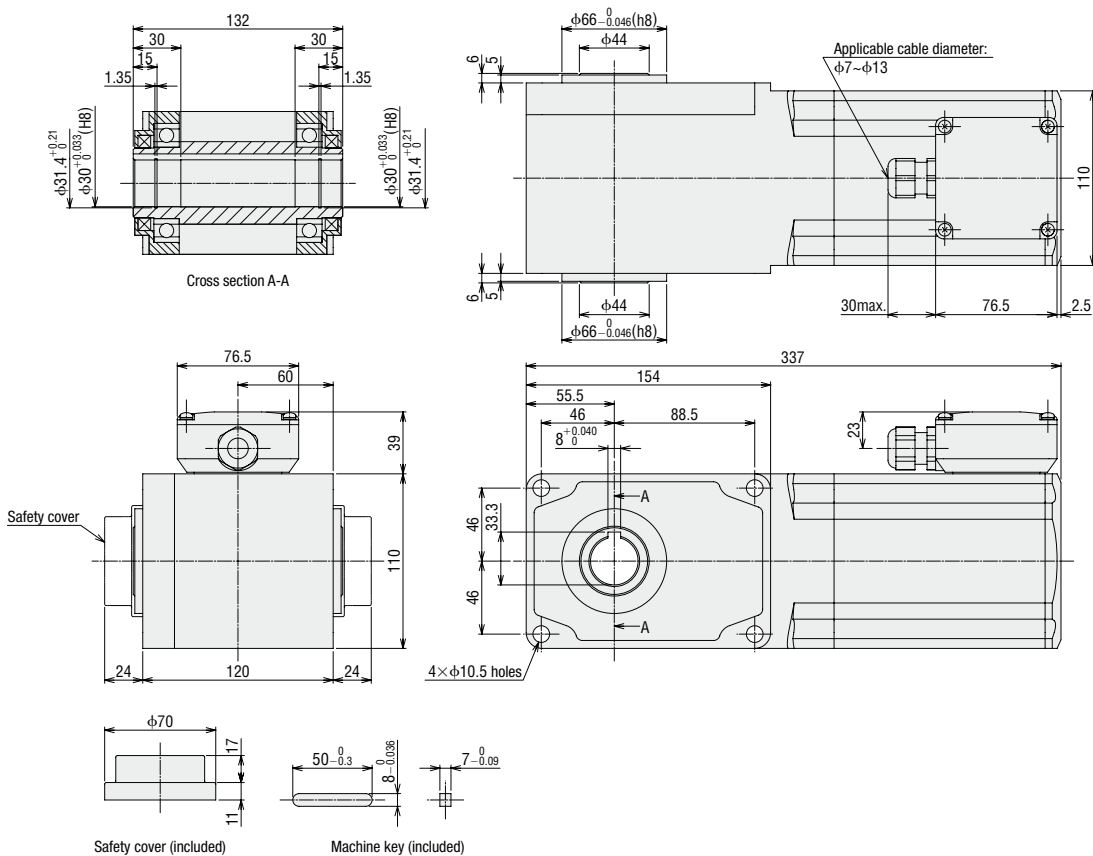
7IK200VEST2-GHR □

Mass: 13.0 kg



7IK200VEUT2-GHR □

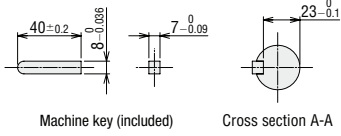
Mass: 13.0 kg



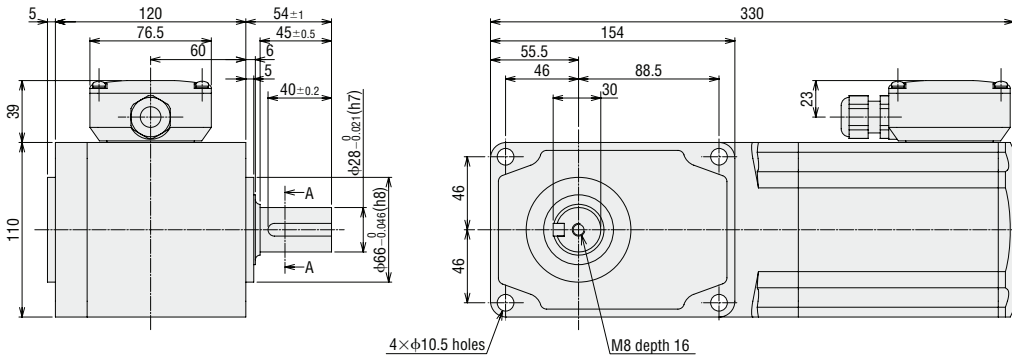
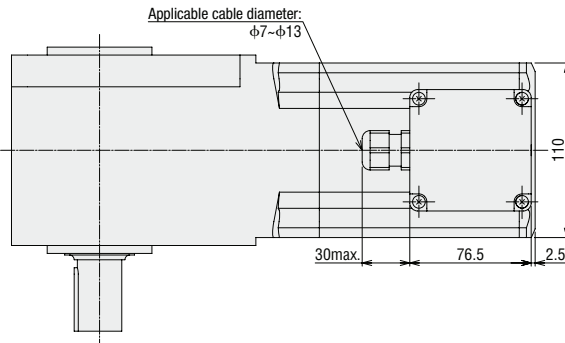
● Solid Shaft Type (R shaft)

71K200VEST2-GAR□

Mass: 13.0 kg

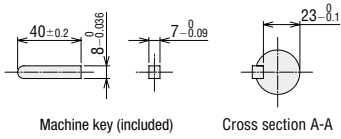


● At the time of shipment, a key is fixed in the key slot of the gearhead shaft.

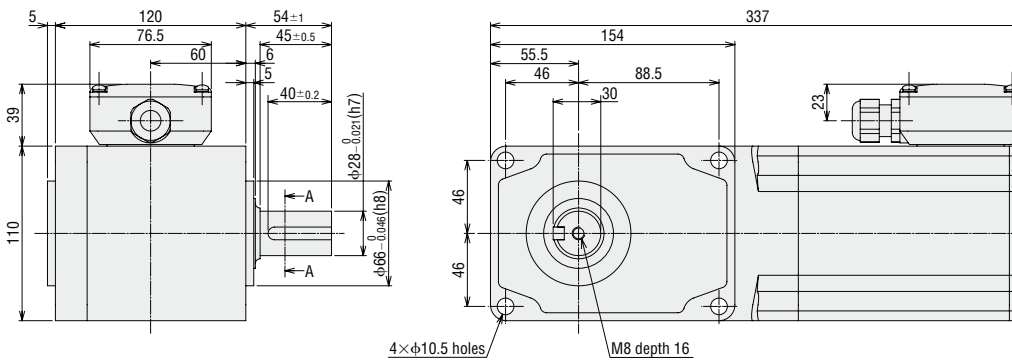
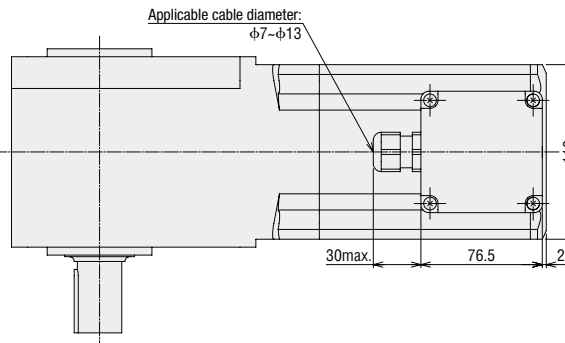


71K200VEUT2-GAR□

Mass: 13.0 kg



● At the time of shipment, a key is fixed in the key slot of the gearhead shaft.



K11
Series

6 W
110-230 VAC

15 W
110-230 VAC

25 W
110-230 VAC

40 W
110-230 VAC

60 W
110-230 VAC

90 W
110-230 VAC

K11S
Series

60 W
220, 230 VAC

100 W
220, 230 VAC

100 W
220, 230 VAC
Hollow/Solid Shaft

200 W
220-400 VAC

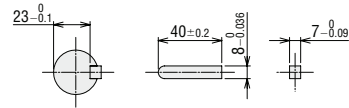
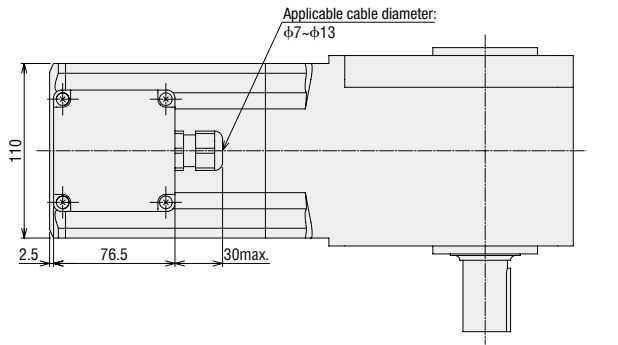
K11S
Series

With Electromagnetic Brake
60 W
220, 230 VAC
100 W
220, 230 VAC

● Solid Shaft Type (L shaft)

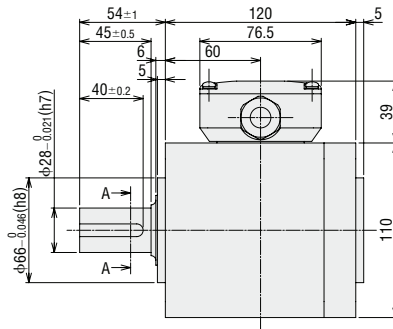
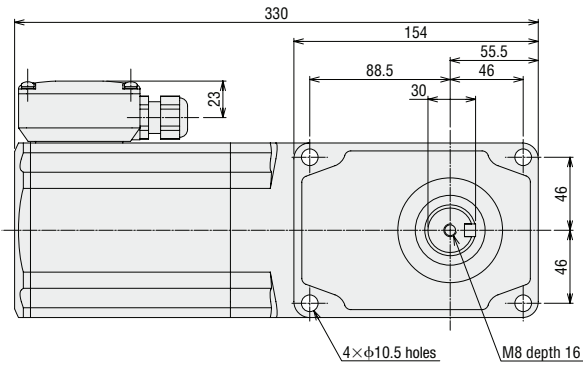
7IK200VEST2-GAL □

Mass: 13.0 kg



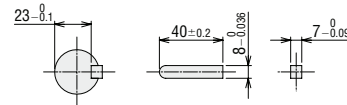
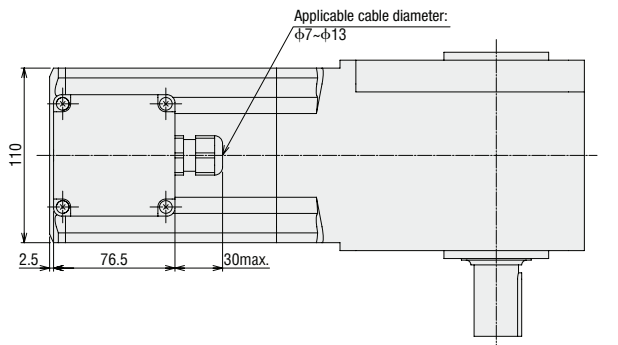
Cross section A-A Machine key (included)

● At the time of shipment, a key is fixed in the key slot of the gearhead shaft.



7IK200VEUT2-GAL □

Mass: 13.0 kg



Cross section A-A Machine key (included)

● At the time of shipment, a key is fixed in the key slot of the gearhead shaft.

