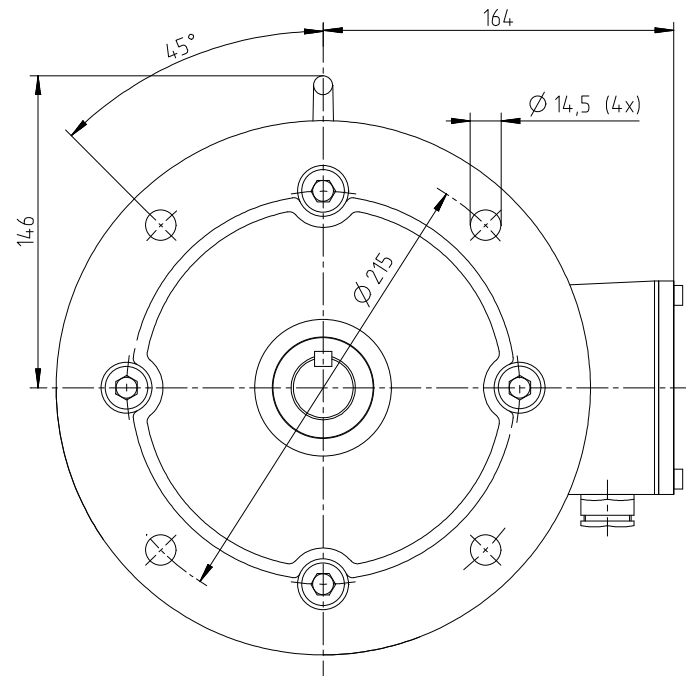
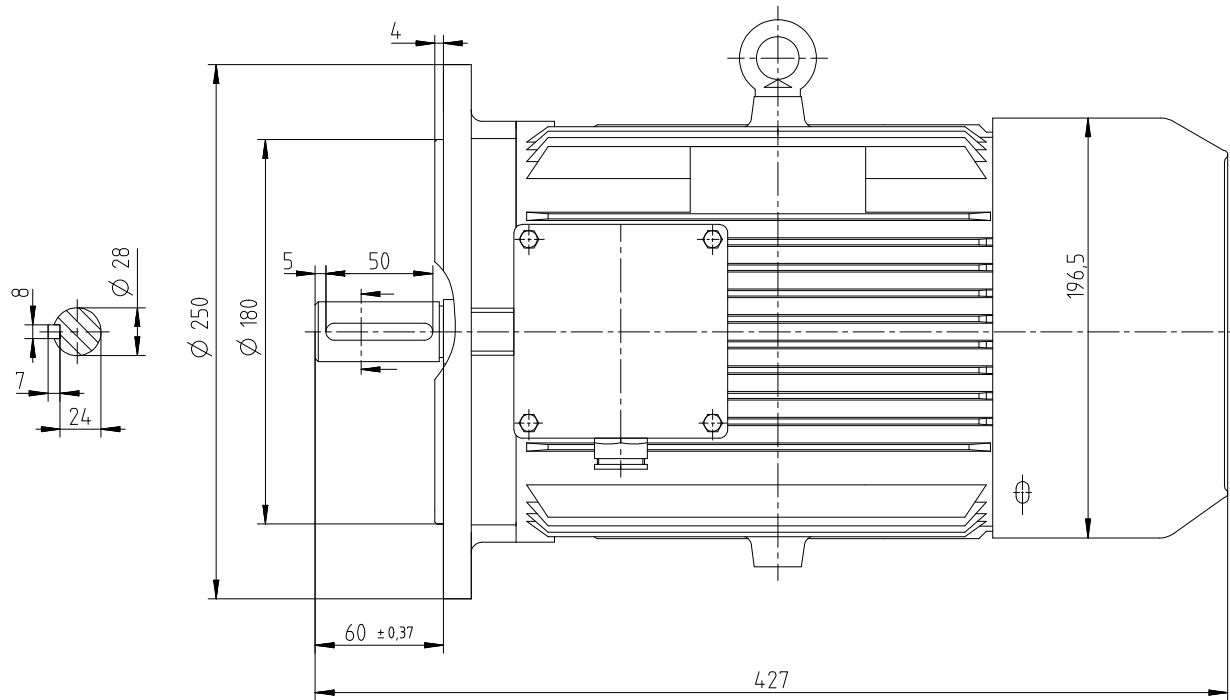


Visual representation is non-binding
 Rotor balanced
 Mounting IMB5
 Efficiency class IE3
 Housing: grey cast iron
 Located bearing is D.E.
 Thermal motor protection PTC 160°
 Thermal class 155 (F)



dimensions in mm

2015	date	name								
edited	14.10.	krith								
			index	modification	date	name	index	modification	date	name



3-phase-motor
 degree of protection: IP55

SFC26_20_100L	index
ECODRIVE SFCE3-100L	sheet
	1/1