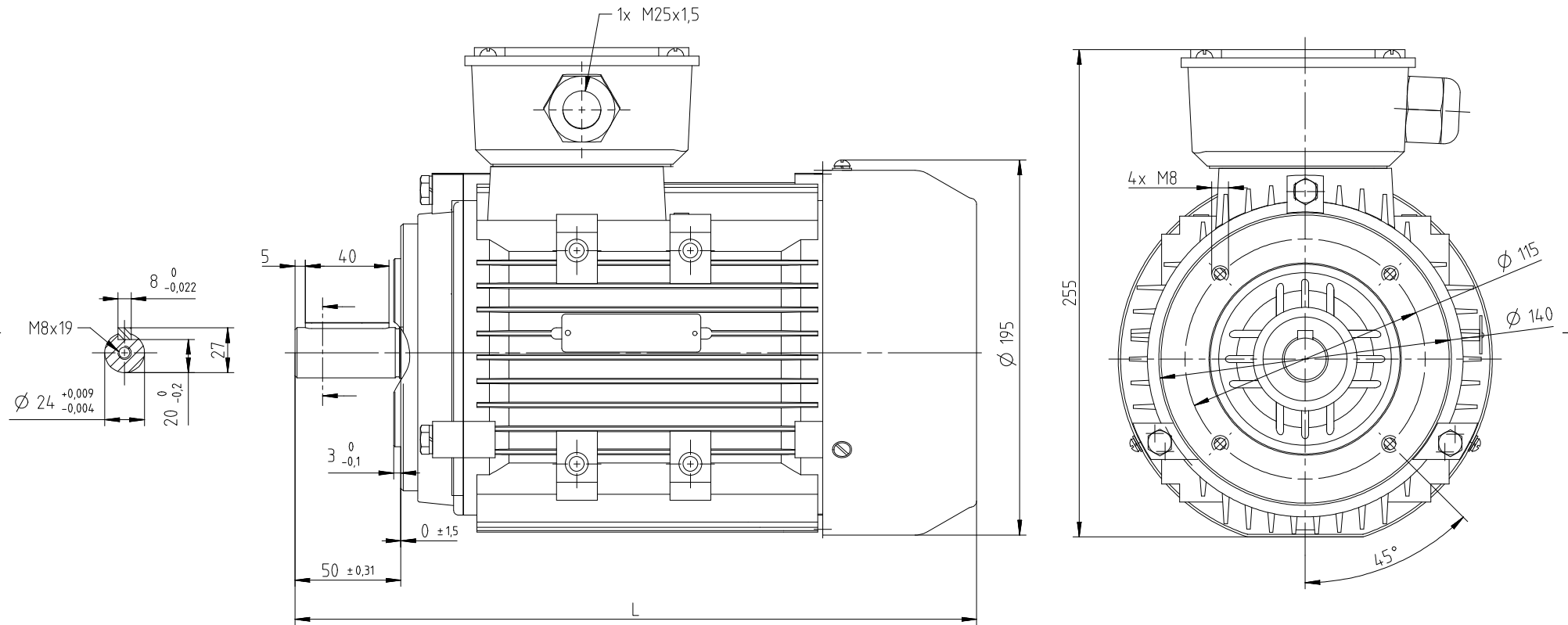


Visual representation is non-binding
 Rotor balanced
 Mounting IMB14
 Efficiency class IE3
 Housing: aluminium casting
 Located bearing is D.E.
 Thermal motor protection PTC 160°
 Thermal class 155 (F)

pt11.3636; IE2-90L	380
pt11.3636; IE2-90S	350
TYPE	L



dimensions in mm

2015	date	name								
edited	07.07.	krith								
			index	modification	date	name	index	modification	date	name



3-phase-motor
 degree of protection: IP55

SFA56_20_090SL	index
ECODRIVE SFAE3-90S/L	sheet
	1/1