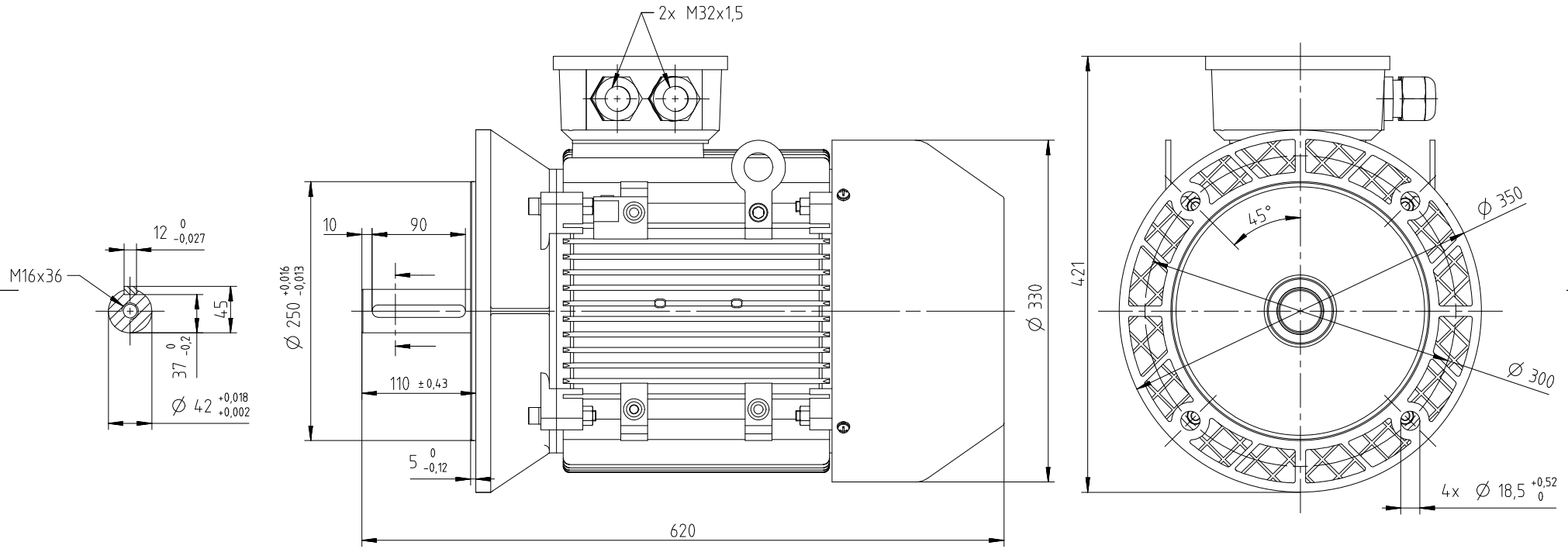


Visual representation is non-binding
 Rotor balanced
 Mounting IMB5
 Efficiency class IE3
 Housing: aluminium casting
 Located bearing is D.E.
 Thermal motor protection PTC 160°
 Winding protection contacts WSK 160°
 Thermal class 155 (F)



dimensions in mm

2015	date	name								
edited	06.07.	krith								
			index	modification	date	name	index	modification	date	name

	3-phase-motor degree of protection: IP55	SFA26_20_160M	index -
		ECODRIVE SFAE3-160M	sheet 1/1