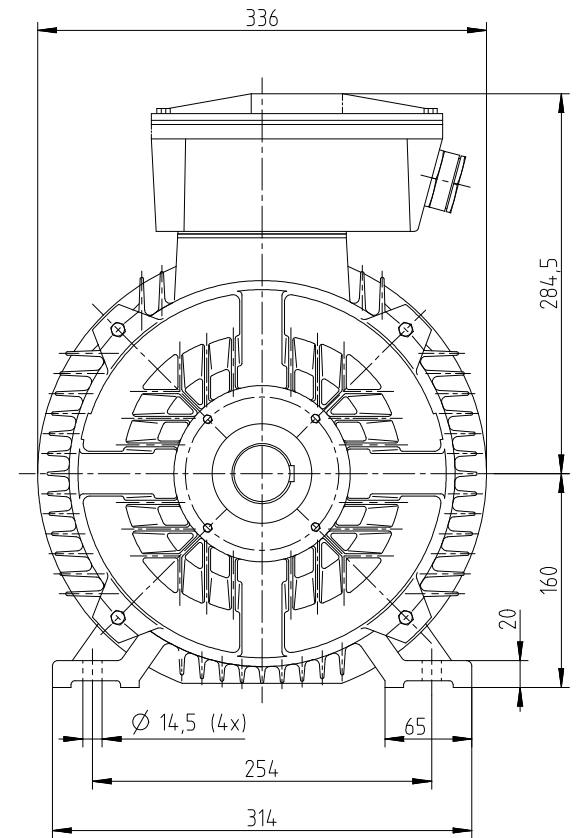
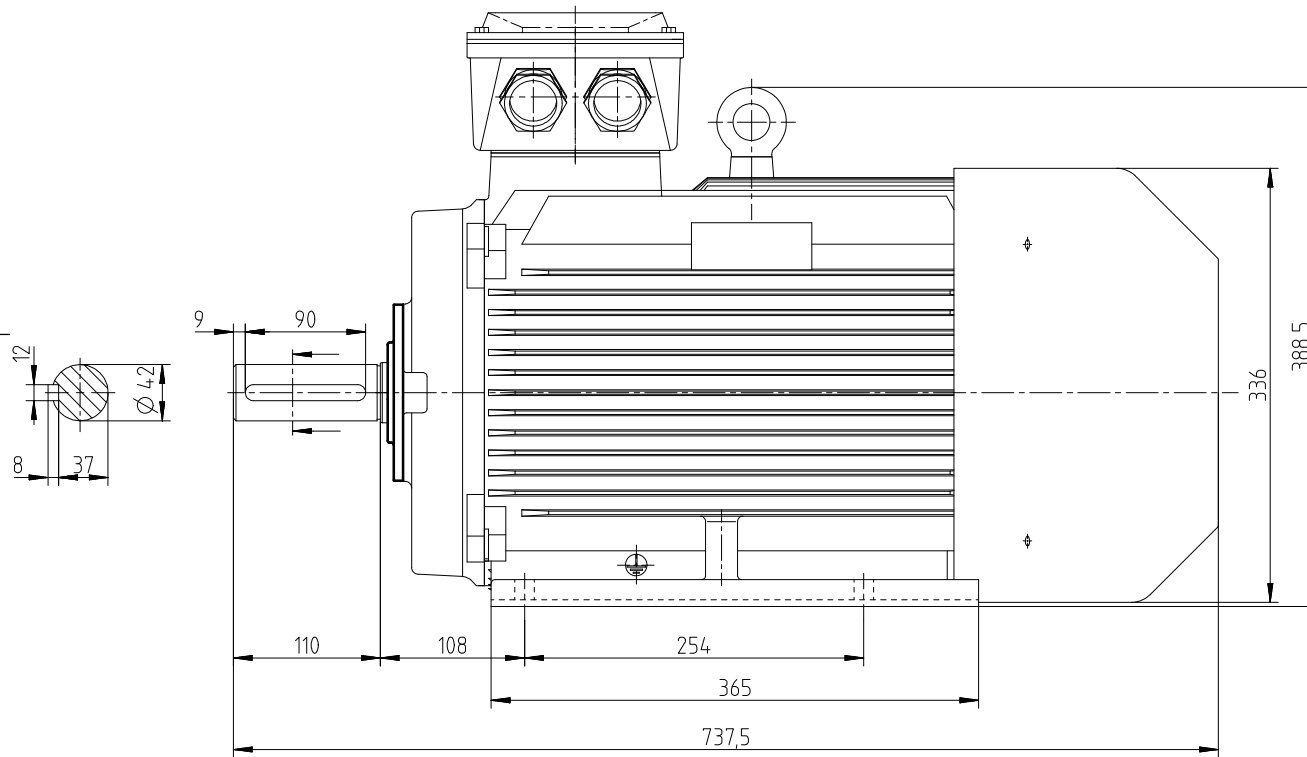


Visual representation is non-binding
 Rotor balanced
 Mounting IMB3
 Efficiency class IE3
 Housing: grey cast iron
 Located bearing is D.E.
 Thermal motor protection PTC 160°
 Winding protection contacts WSK 160°
 Thermal class 155 (F)



dimensions in mm

2015	date	name								
edited	16.10.	krith								
			index	modification	date	name	index	modification	date	name



3-phase-motor
 degree of protection: IP55

SC16_21_160L
 ECODRIVE SCE3-160L

index
 -
 sheet
 1/1