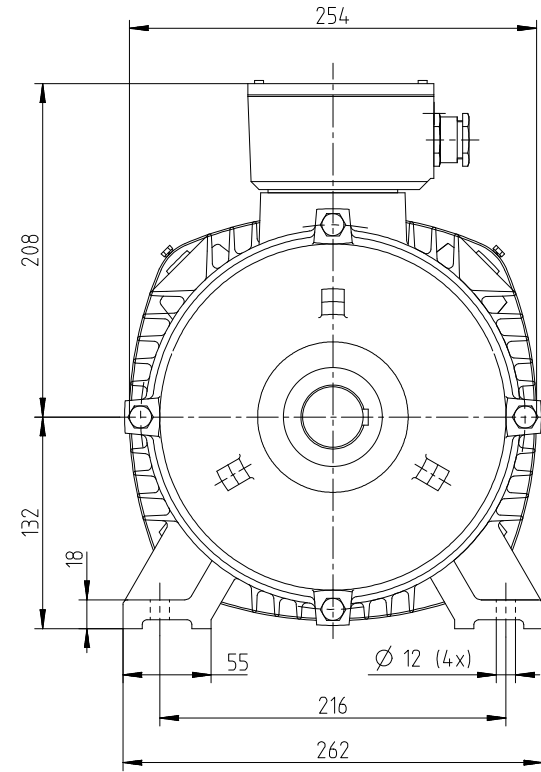
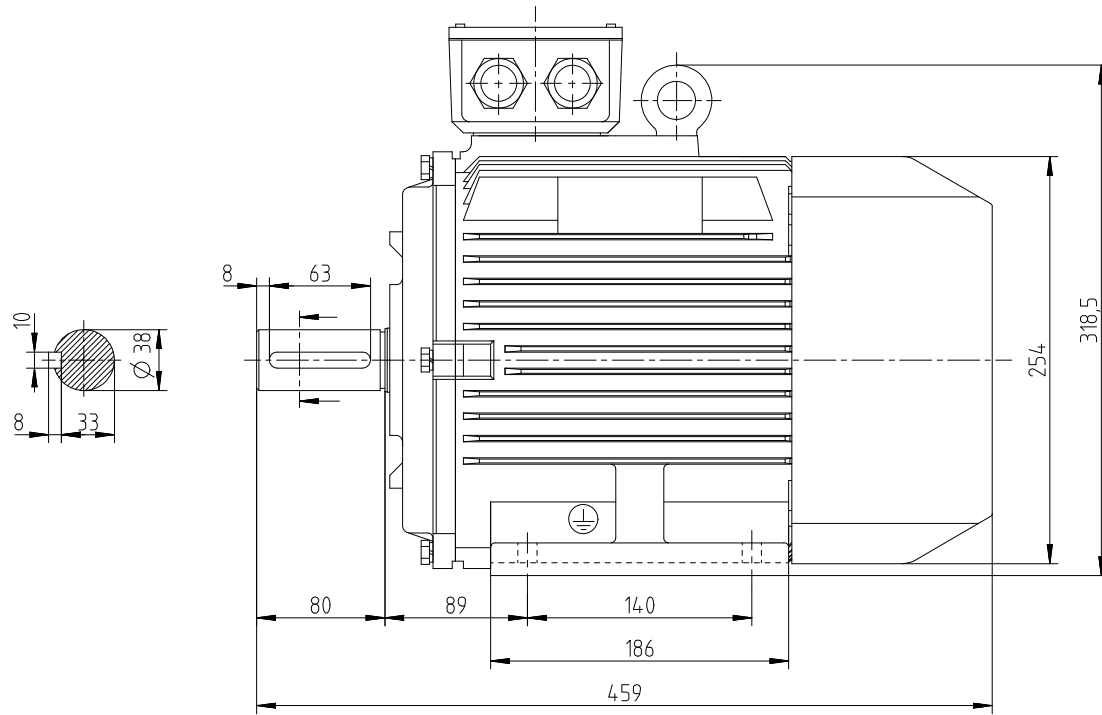


Visual representation is non-binding  
 Rotor balanced  
 Mounting IMB3  
 Efficiency class IE3  
 Housing: grey cast iron  
 Located bearing is D.E.  
 Thermal motor protection PTC 160°  
 Thermal class 155 (F)



dimensions in mm

2015	date	name								
edited	13.10.	krith								
			index	modification	date	name	index	modification	date	name



3-phase-motor  
 degree of protection: IP55

SC16\_21\_132S  
 ECODRIVE SCE3-132S

index -  
 sheet 1/1