

Motor Product Recommendation Information Sheet: Ball Screw Drive

Required Product ● Leave blank and send if you have no request. We will call you back.

- Induction Motor, Reversible Motor, Electromagnetic Brake Motor, etc.
 AC Speed Control Motor
 Speed Control Motor and Inverter Package
 Brushless Motor
 Stepping Motor

Drive Mechanism Specifications ● Leave blank and send if there is anything unclear. We will call you back.

- Mass of Loads (Table included).....

m	=	kg
-----	---	----
- Friction Coefficient of the Guide.....

μ	=	
-------	---	--
- Ball Screw Shaft Diameter.....

D_B	=	mm
-------	---	----
- Overall Length of Ball Screw.....

L_B	=	mm
-------	---	----
- Ball Screw Lead.....

P_B	=	mm/rev
-------	---	--------
- Ball Screw Efficiency.....

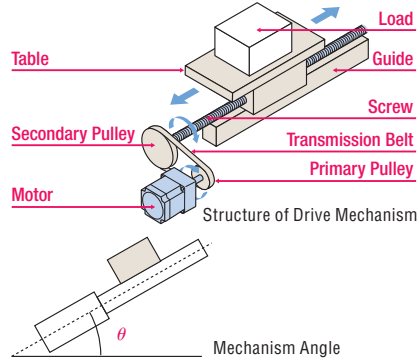
η_B	=	
----------	---	--
- Material of Ball Screw.....

Material:		
-----------	--	--
- Preload.....

F_O	=	N
-------	---	---
- Mechanism Inclination Angle.....

θ	=	deg
----------	---	-----
- External Force on Table.....

F_A	=	N
-------	---	---



Please indicate if using a connection belt pulley or gear. Not necessary if it's a direct connection.

- Primary Pulley Diameter and Mass ...

D_{P1}	=	mm
----------	---	----

m_{P1}	=	kg
----------	---	----

L_{P1}	=	mm
----------	---	----

Material:		
-----------	--	--
 - Secondary Pulley Diameter and Mass....

D_{P2}	=	mm
----------	---	----

m_{P2}	=	kg
----------	---	----

L_{P2}	=	mm
----------	---	----

Material:		
-----------	--	--
- When the mass is unknown, please enter the width and material. →
- For motorized linear slides selection, please use the special sheet.

Operating Conditions ● Leave blank and send if there is anything unclear. We will call you back.

- Traveling Distance per Motion.....

	=	mm
--	---	----
- Positioning Time.....

t_0	=	s
-------	---	---
- Desired acceleration and deceleration time (if any) ...

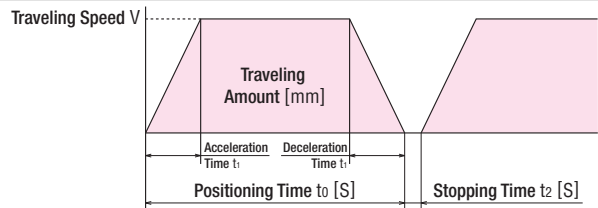
t_1	=	s
-------	---	---
- Stopping Time.....

t_2	=	s
-------	---	---
- Desired traveling speed (if any).....

V	=	mm/s
-----	---	------
- Stopping Accuracy.....

\pm	=	mm
-------	---	----
- Power Supply Voltage.....

Phase	V ,	Hz
-------	-------	----



Customer Information

Date: Year ____ Month ____ Day ____

Company: _____	E-mail: _____
Department and Title: _____	Application: _____
Name: _____	_____
Address: _____	Number of Units to be Used: _____ Unit(s)
_____	Expected Purchasing Date: _____
TEL: _____ Extension: _____	Supply Source: _____
FAX: _____	Sales Branch: _____

- Contact**
- Germany
 - UK/Ireland
 - Italy
 - France
 - Other Countries

TEL: 0211-5206700
 TEL: 01256-347090
 TEL: 02-93906346
 TEL: 01 47 86 97 50
 TEL: +49-211-5206700

FAX: 0211-52067099
 FAX: 01256-347099
 FAX: 02-93906348
 FAX: 01 47 82 45 16
 FAX: +49-211-52067099